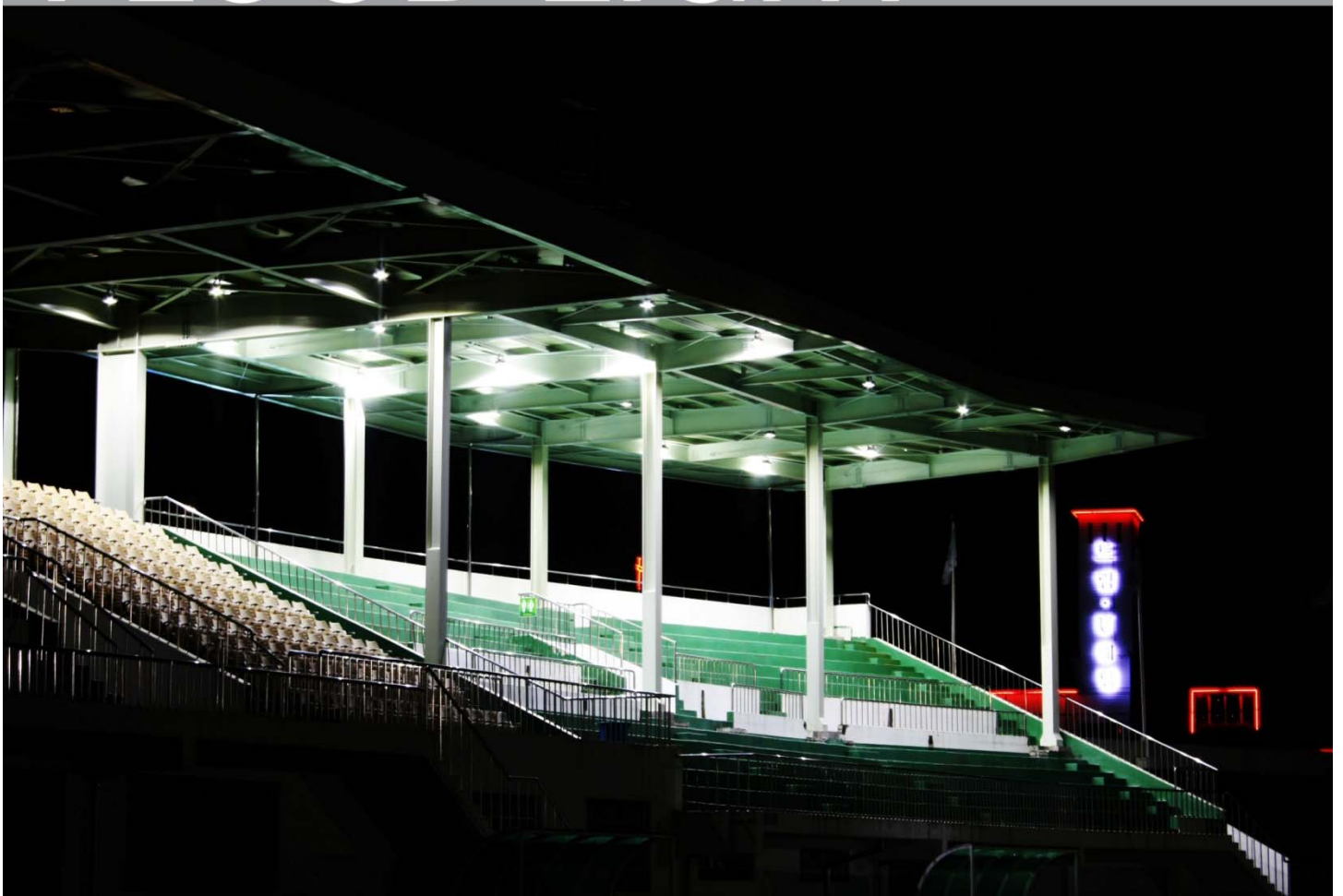


©2011  MIRACLE IND.CO.,LTD

LOW POWER CONSUMPTION
SEMI-PERMANENT LIFE
ECONOMICAL INVESTMENT

MS-FT Series LED ILLUMINATE FLOOD LIGHT



Product MS-FT Series LED Flood LIGHT

Table of contents

- Nomenclature ----- 2p
- Product Structure ----- 2p
- Dimensions ----- 3p
- Absolute Maximum Ratings ----- 3p
- Specifications ----- 3p~4p
- Illuminance Specifications ----- 4p~5p
- Light pattern ----- 5p
- Luminance ----- 5p
- Application ----- 6p
- Environmentally Friendly ----- 7p
- Package Information ----- 8p

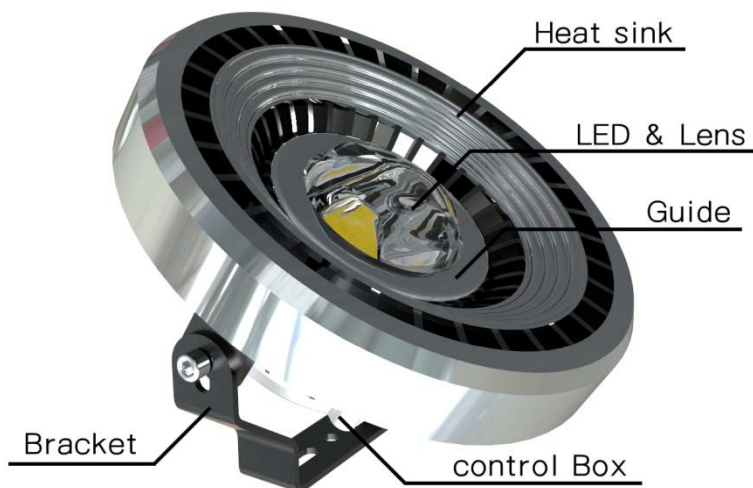
Nomenclature

The following table describes the available type, and Wattage.

MS – FT 120
 X1 X2 X3

X1 SSL Series		X2 Type		X3 Wattage	
Code	Type	Code	Type	Code	Type
MS	Miracleits	FT	Flood	35	35W
				60	60W
				100	100W
				120	120W
				150	150W

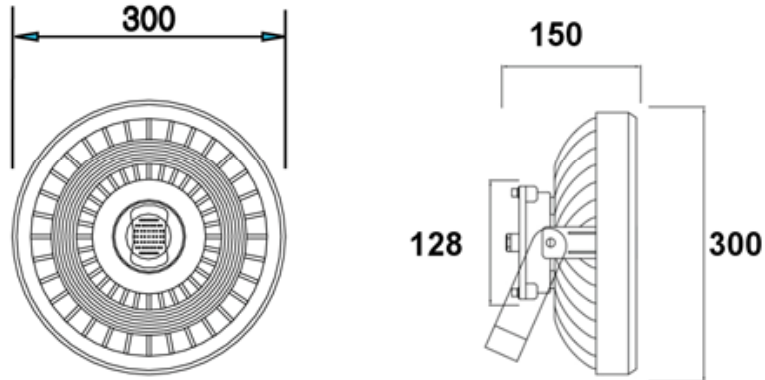
Product Structure



Product MS-FT Series LED Flood LIGHT

■ Dimensions

MS-FT Series



Notes :

1. Unit : mm
2. Tolerance : $\pm 5.0\text{mm}$
3. Power : W

■ Absolute Maximum Ratings

Parameter	Symbol	Rating	Units
AL Housing Temperature	T_c	45~50	$^{\circ}\text{C}$
Operating Temperature	T_{opr}	-30~40	$^{\circ}\text{C}$
Storage Temperature	T_{stg}	-40~60	$^{\circ}\text{C}$
AC Input Voltage	V	85~265	V
Power factor		95%	

■ Specifications

The following describes the choices of color temperature, lens, angles different demand.

Parameter	MS-FT35	MS-FT60	MS-FT100
Power	35W	60W	100W
Size	300 Φ x 150mm(Φ x H)		
Weight	$\pm 6.1\text{kg}$		
Color	cool white/warm White/RGB	cool white/Warm White	
Field Angle	(120 $^{\circ}$ - 60 $^{\circ}$) / 80 $^{\circ}$ / 60 $^{\circ}$		
Lumen	2450lm	4200lm	7000lm
Optic Efficiency	70Lm/W		
Life Time/ IP	50,000 hour / IP65		
Input Voltage	85~245V		

Product MS-FT Series LED Flood LIGHT

■ Specifications

The following describes the choices of color temperature, lens, angles different demand.

Parameter	MS-FT120	MS-FT150
Power	120W	150W
Size	300Φ x 150mm (Φ x H)	
Weight	±5kg	
Color	cool white/Warm White	
Field Angle	120° / 80°	
Lumen	8,400lm	10,500lm
Optic Efficiency	70Lm/W	
Life Time/ IP	50,000 hour / IP65	
Input Voltage	85~245V	

■ Illuminance Specifications

The table present the illuminance level With respect to different color temperature.

Power Consumption	parameter	CCT	Field Angle	Flux (min.)	Flux (Typ.)
35W	MS-FT35	6600	120°	2200	2450
		4300		1920	2140
60W	MS-FT60	6600	120°	3780	4200
		4300		3307	3675
100W	MS-FT100	6600	120°	6300	7000
		4300		5512	6125
120W	MS-FT120	6600	120°	7560	8400
		4300		6615	7350
150W	MS-FT150	6600	120°	9450	10500
		4300		8268	9187

Product MS-FT Series LED Flood LIGHT

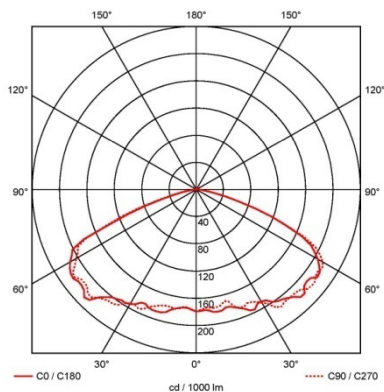
■ Illuminance Specifications

The table present the iluminance level With respect to different color temperature.

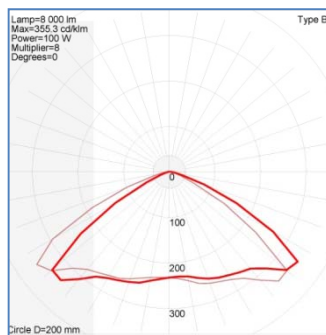
Power Consumption	parameter	CCT	Lux @ 4m (Typ.)	Lux @ 8m (Typ.)	Lux @ 10m (Typ.)
35W	MS-FT35	6600	75	20	12
		4300	64	17	8
60W	MS-FT60	6600	124	40	29
		4300	107	35	26
100W	MS-FT100	6600	222	66	45
		4300	183	55	39
120W	MS-FT120	6600	318	84	52
		4300	273	72	44
150W	MS-FT150	6600	470	126	78
		4300	404	108	67

■ Light pattern

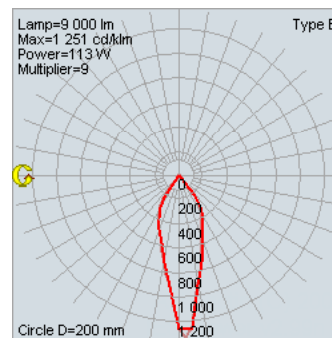
Beam angle : 120°/60°



Beam angle : 120°

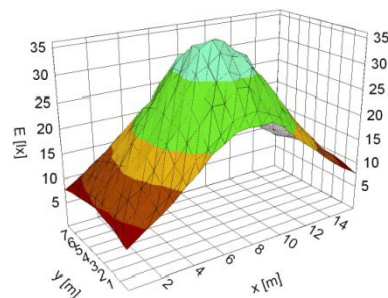
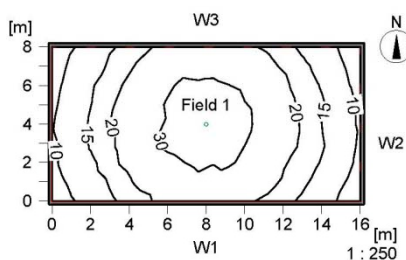
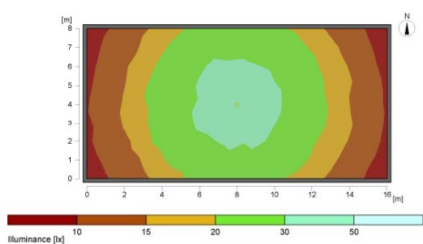


Beam angle : 60°



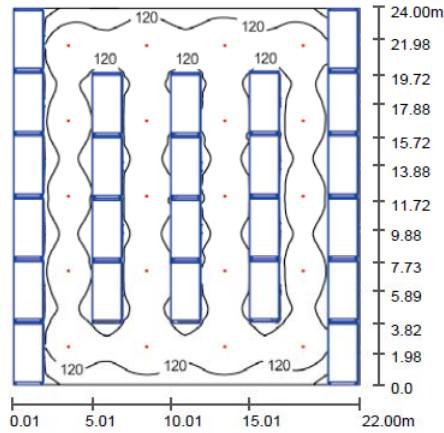
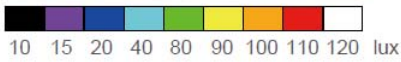
■ Luminance

Beam angle : 120°/60°



Product MS-FT Series LED Flood LIGHT

Application

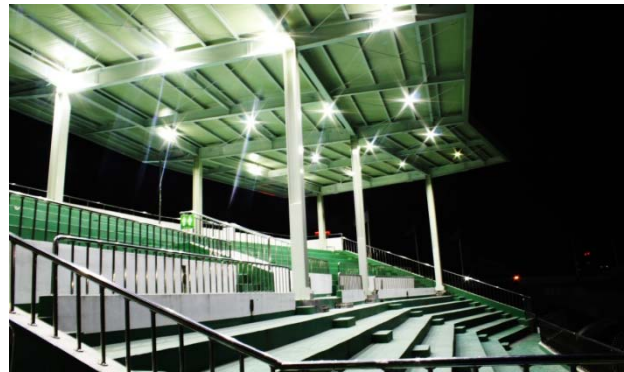


Module
Cabinet

Height of room : 8m , Mounting height : 6.400m
Light loss factor : 0.8, Values in Lux, Scale 1:309

No. of model : 20
Flux per module : 5,000lm
Total power : 1,000W
Area : 528m ² / 5,683ft ²
Work plan height : 0.85m

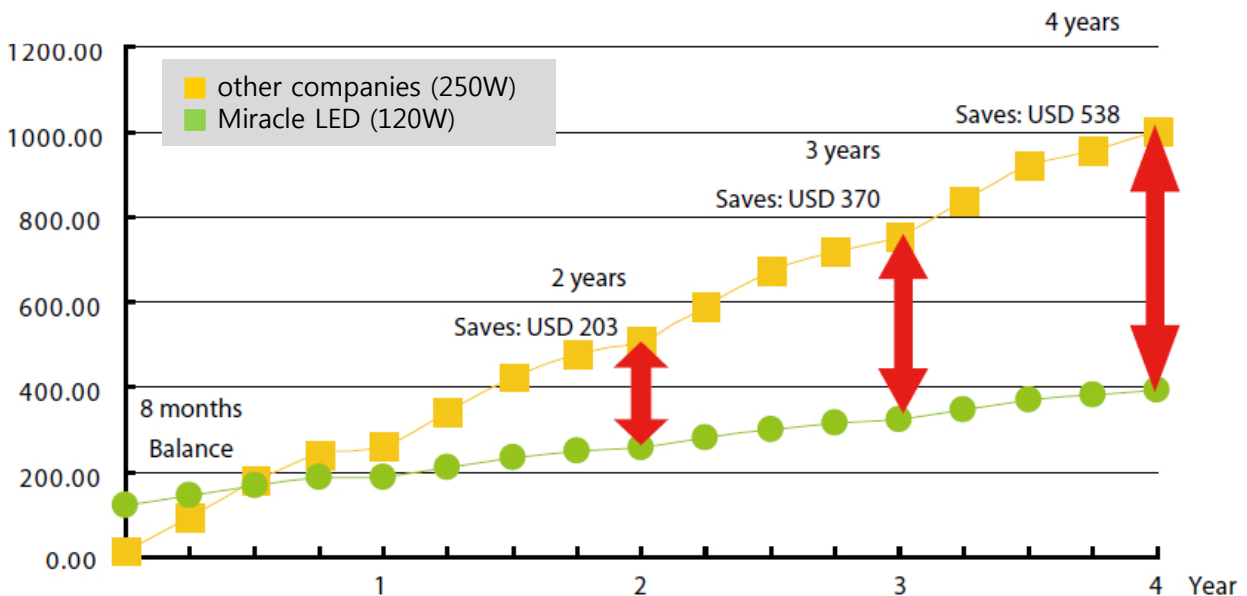
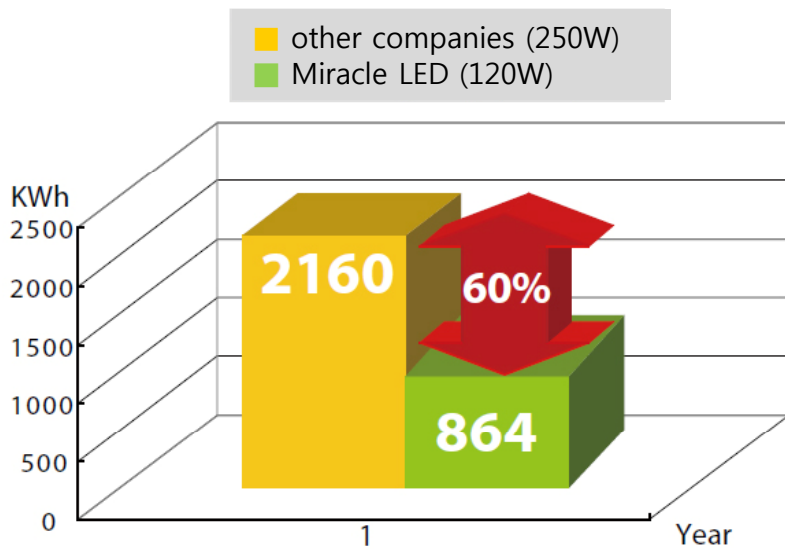
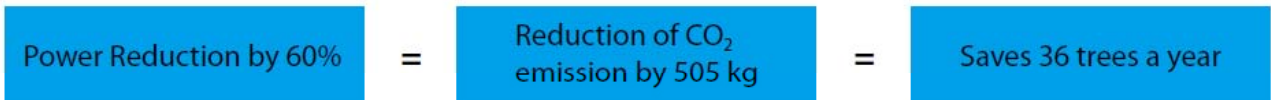
Surface	P [%]	E _{av} [lux]	E _{min} [lux]	E _{max} [lux]
Work plan	/	112	2.23	143
Floor	20	74	4.03	132
Ceiling	70	14	9	19
Watts	50	16	2.48	55



Product MS-FT Series LED Flood LIGHT

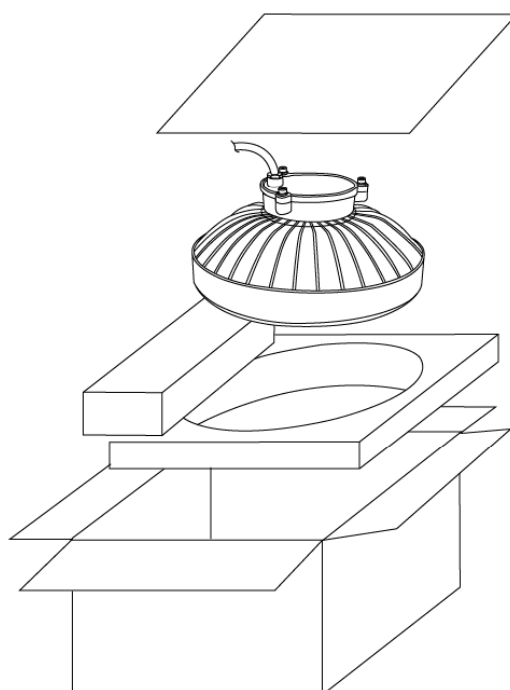
Environmentally Friendly

The following describes the choices of color temperature, lens, angles different demand.



Product MS-FT Series LED Flood LIGHT

■ Package Information



Note :

- 1). Size: 35W~150W package : 350mm(width)*350mm(length)*200mm(height)
- 2) Material of packing : carton box
- 3) Total gross weight : 7kg